

## Aquno Select M81

Single lever kitchen mixer 250, pull-out spout, 2jet, sBox

Surfaces: **Stainless Steel Finish** Article Number: **73830800**



### Description

#### product features

- consists of: single lever kitchen mixer, hose box, multifunctional strainer
- ComfortZone 250
- I-spout
- swivel range adjustable in 3 steps 60°, 110° or 150°
- laminar spray, SatinFlow
- change between SatinFlow and pull-out spout at the touch of a button
- MagFit magnetic shower support
- connection dimension: DN15
- maximum flow rate at 3 bar: 6 l/min
- ceramic cartridge
- connection type: G 3/8 connections
- integrated non-return valve
- sBox for quiet, smooth and protected hose guidance in the cabinet, under the countertop
- extension length up to 76 cm
- tap hole with Ø 35 mm required, recommendation: the middle of tap hole drilling should be max. 45 mm from the back side of of the bowl

### Technology



### Design awards

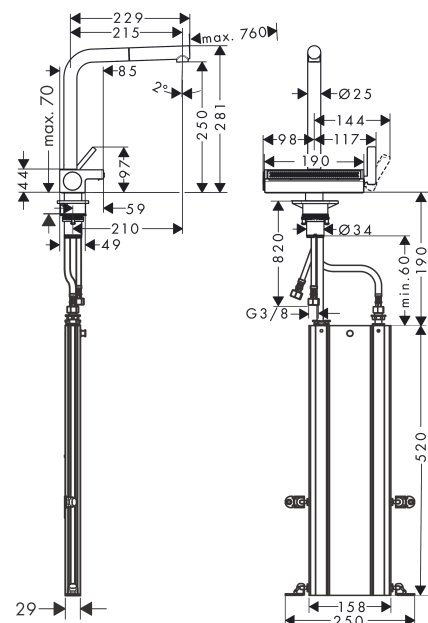


reddot winner 2020  
best of the best

### Product image



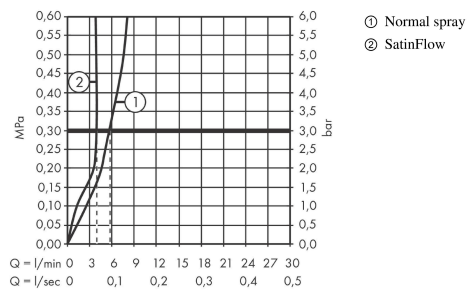
### Scale drawing



**Aquno Select M81**  
**Single lever kitchen mixer 250, pull-out spout, 2jet, sBox**  
 Surfaces: **Stainless Steel Finish**    Article Number: **73830800**

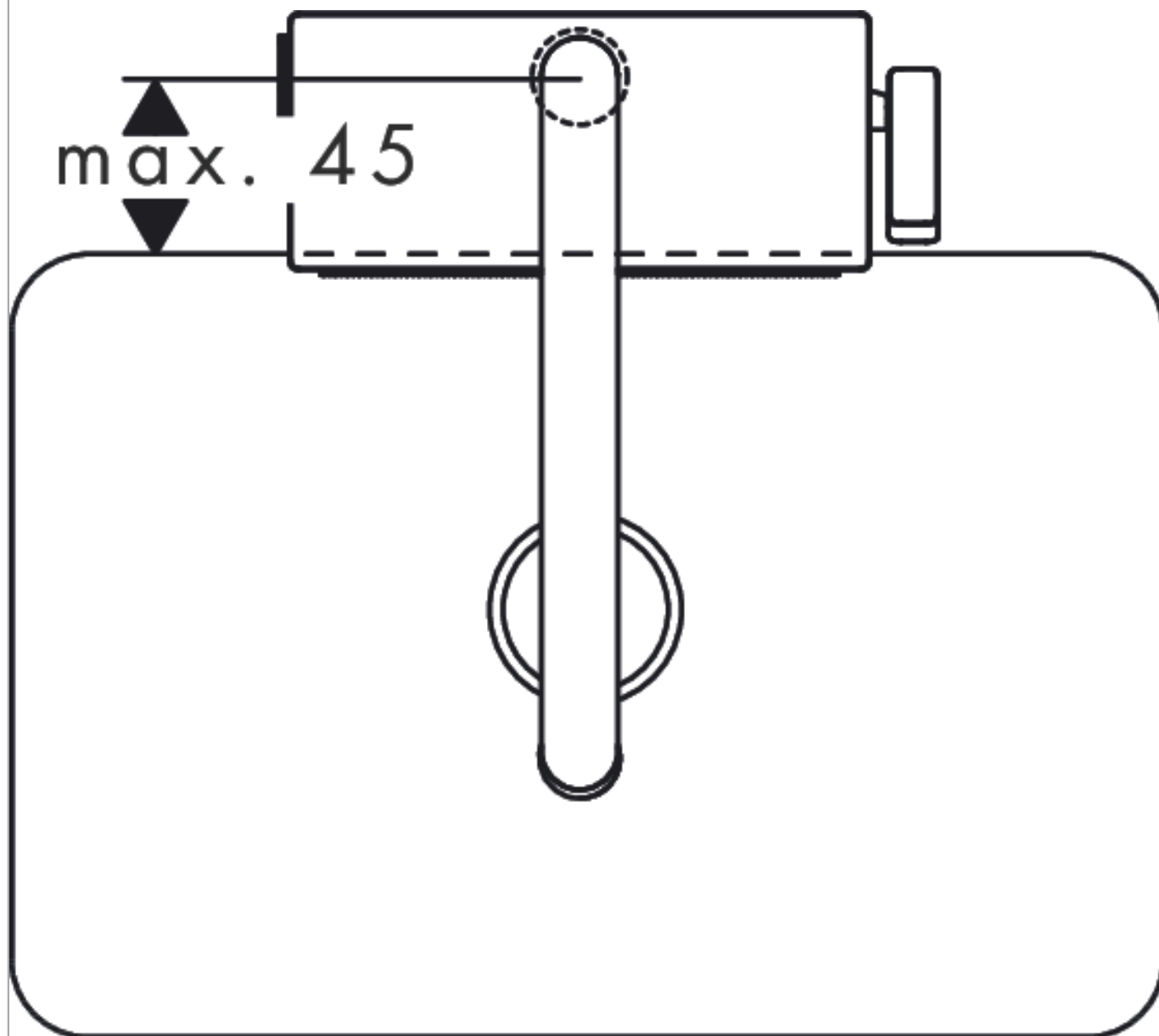


### Flowchart



**Aquno Select M81****Single lever kitchen mixer 250, pull-out spout, 2jet, sBox**Surfaces: **Stainless Steel Finish** Article Number: **73830800**

## Installation examples

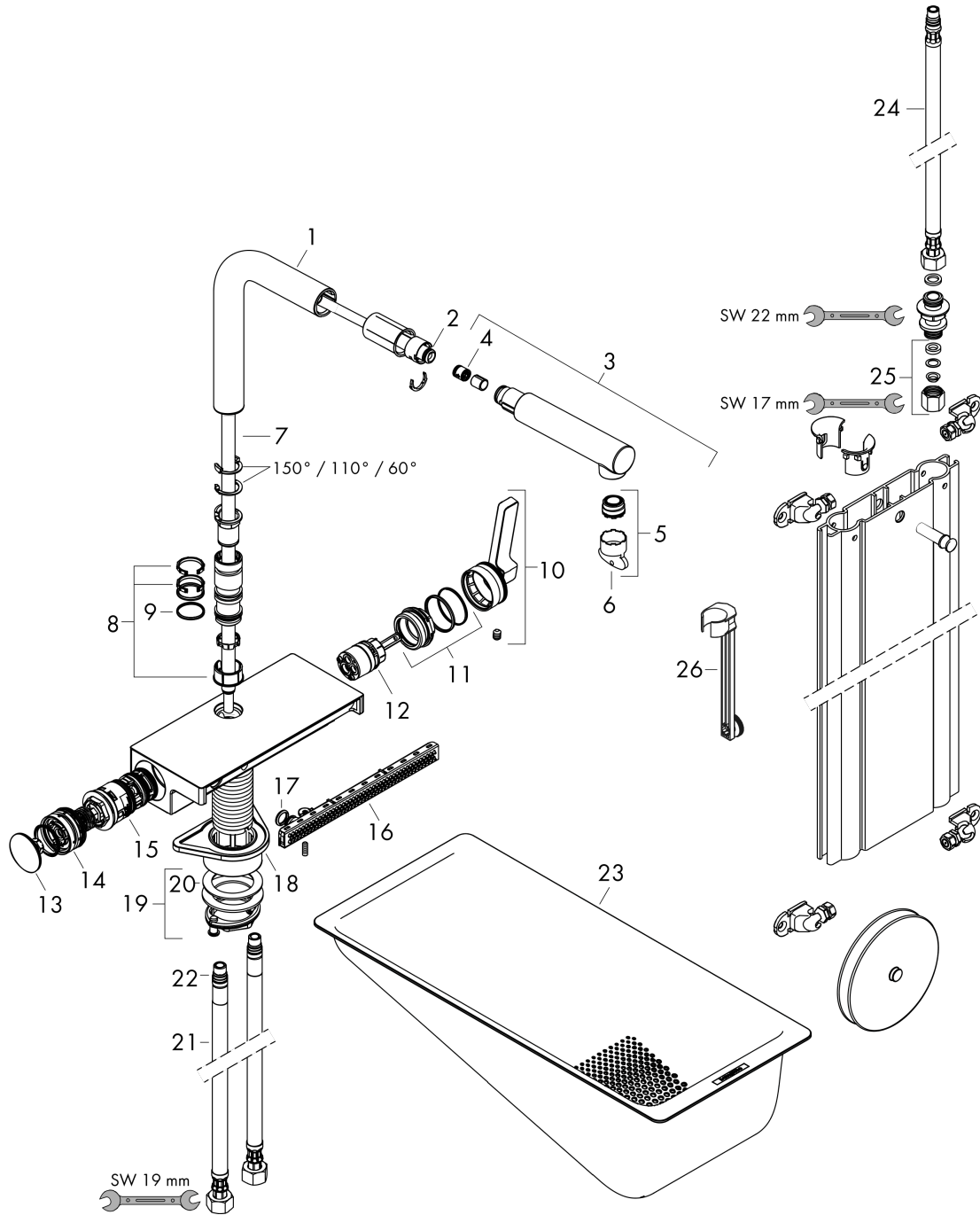


**Aquno Select M81**  
**Single lever kitchen mixer 250, pull-out spout, 2jet, sBox**  
 Surfaces: **Stainless Steel Finish** Article Number: **73830800**



## Exploded Drawing

Year of production: >12/19



**Aquno Select M81**  
**Single lever kitchen mixer 250, pull-out spout, 2jet, sBox**  
 Surfaces: **Stainless Steel Finish** Article Number: **73830800**



## Spare part list

Year of production: >12/19

Pos.	Description	Article Number	Price	PU
1	spout cpl.	93749800	-	1
2	O-ring 8x2	98112000	-	1
3	handspray	93751800	-	1
4	non return valve DW 10	96456000	-	1
5	spray former	93748000	-	1
6	service tool	93750000	-	1
7	hose	93815000	-	1
8	set of lever collars	98365000	-	1
9	O-ring 19x2	98426000	-	1
10	handle	93776800	-	1
11	nut	92926000	-	1
12	cartridge, assy	93183000	-	1
13	cover	93777800	-	1
14	spring with sleeve	93782000	-	1
15	selector assy	93558000	-	1
16	spray head cpl.	93781800	-	1
17	O-ring 10x2	98170000	-	1
18	support	97523000	-	1
19	fixing set (special)	93253000	-	1
20	lever collar	97548000	-	1
21	connection hose 900 mm M10x1 G3/8	93780000	-	1
22	O-ring 8x1,75	97827000	-	1
23	-	40963000	-	1
24	connection hose 450 mm M10x1 G3/8	96507000	-	1
25	squeezing connection	96099000	-	1
26	extension set	43333000	-	1